




Dell™ Studio XPS™ 7100 Service Manual

[Before You Begin](#)
[Technical Overview](#)
[Computer Cover](#)
[Memory Module\(s\)](#)
[Front Bezel](#)
[Graphics Card Bracket](#)
[PCI and PCI Express Cards](#)
[Drives](#)
[Top Cover](#)
[Top I/O Panel](#)

[Front USB Panel](#)
[Bluetooth Assembly](#)
[Power Button Module](#)
[Fans](#)
[Processor](#)
[Coin-Cell Battery](#)
[Power Supply](#)
[System Board](#)
[System Setup](#)
[Flashing the BIOS](#)

Notes, Cautions, and Warnings

-  **NOTE:** A NOTE indicates important information that helps you make better use of your computer.
-  **CAUTION:** A CAUTION indicates either potential damage to hardware or loss of data and tells you how to avoid the problem.
-  **WARNING:** A WARNING indicates a potential for property damage, personal injury, or death.

Information in this document is subject to change without notice.
© 2010 Dell Inc. All rights reserved.

Reproduction of these materials in any manner whatsoever without the written permission of Dell Inc. is strictly forbidden.

Trademarks used in this text: *Dell*, the *DELL* logo, and *Studio XPS* are trademarks of Dell Inc.; *AMD* is a registered trademark of Advanced Micro Devices, Inc.; *Microsoft*, *Windows*, and the *Windows* start button logo are either trademarks or registered trademarks of Microsoft Corporation in the United States and/or other countries.

Other trademarks and trade names may be used in this document to refer to either the entities claiming the marks and names or their products. Dell Inc. disclaims any proprietary interest in trademarks and trade names other than its own.

May 2010 Rev. A00

Model: D03M series Type: D03M002

[Back to Contents Page](#)

Before You Begin

Dell™ Studio XPS™ 7100 Service Manual

- [Technical Specifications](#)
- [Recommended Tools](#)
- [Turning Off Your Computer](#)
- [Safety Instructions](#)

This manual provides instructions for removing and installing the components in your computer. Unless otherwise noted, each procedure assumes that the following conditions exist:

- 1 You have performed the steps in [Turning Off Your Computer](#) and [Safety Instructions](#).
- 1 You have read the safety information that shipped with your computer.
- 1 A component can be replaced or—if purchased separately—installed by performing the removal procedure in reverse order.

Technical Specifications

For information on technical specifications of your computer, see the *Setup Guide* at support.dell.com/manuals.

Recommended Tools


The instructions in this document may require the following tools:

- 1 Small flat-blade screwdriver
- 1 Small Phillips screwdriver
- 1 Plastic scribe
- 1 BIOS executable update program available at support.dell.com

Turning Off Your Computer





 **CAUTION:** To avoid losing data, save and close all open files and exit all open programs before you turn off your computer.

1. Save and close all open files and exit all open programs.
2. Shut down your computer:

Click **Start** , and click **Shut Down**.
3. The computer turns off after the operating system shutdown process is complete.
4. Ensure that the computer is turned off. If your computer did not automatically turn off when you shut down the operating system, press and hold the power button until the computer turns off.

Safety Instructions


Use the following safety guidelines to help protect your computer from potential damage and to help ensure your own personal safety.

-  **WARNING:** Before working inside your computer, read the safety information that shipped with your computer. For additional safety best practices information, see the Regulatory Compliance Homepage at www.dell.com/regulatory_compliance.
-  **CAUTION:** Only a certified service technician should perform repairs on your computer. Damage due to servicing that is not authorized by Dell™ is not covered by your warranty.
-  **CAUTION:** When you disconnect a cable, pull on its connector or on its pull-tab, not on the cable itself. Some cables have connectors with locking tabs; if you are disconnecting this type of cable, press in on the locking tabs before you disconnect the cable. As you pull connectors apart, keep them evenly aligned to avoid bending any connector pins. Also, before you connect a cable, ensure that both connectors are correctly oriented and aligned.
-  **CAUTION:** To avoid damaging the computer, perform the following steps before you begin working inside the computer.

1. Ensure that the work surface is flat and clean to prevent the computer cover from being scratched.
2. Turn off your computer (see [Turning Off Your Computer](#)) and all attached devices.

 **CAUTION:** To disconnect a network cable, first unplug the cable from your computer and then unplug the cable from the network device.

3. Disconnect all telephone or network cables from the computer.
4. Disconnect your computer and all attached devices from their electrical outlets.
5. Disconnect all attached devices from your computer.
6. Press and eject any installed cards from the Media Card Reader.
7. Press and hold the power button to ground the system board.

 **CAUTION:** Before touching anything inside your computer, ground yourself by touching an unpainted metal surface, such as the metal at the back of the computer. While you work, periodically touch an unpainted metal surface to dissipate static electricity, which could harm internal components.

[Back to Contents Page](#)

Front Bezel

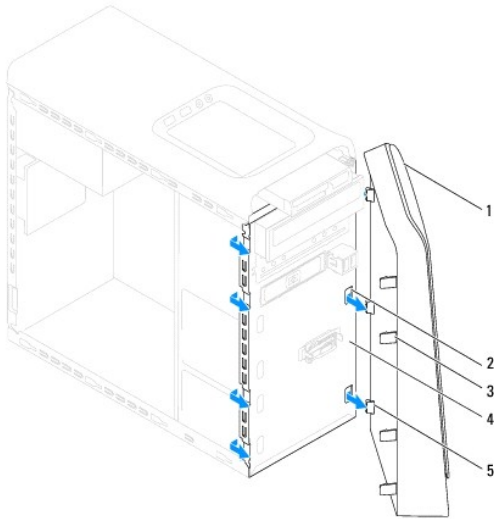
Dell™ Studio XPS™ 7100 Service Manual

- [Removing the Front Bezel](#)
- [Replacing the Front Bezel](#)

- ⚠ **WARNING:** Before working inside your computer, read the safety information that shipped with your computer. For additional safety best practices information, see the Regulatory Compliance Homepage at www.dell.com/regulatory_compliance.
 - ⚠ **WARNING:** To guard against electrical shock, always unplug your computer from the electrical outlet before removing the cover.
 - ⚠ **WARNING:** Do not operate your computer with any cover(s) (including computer covers, front bezels, filler brackets, front-panel inserts, etc.) removed.
 - ⚠ **CAUTION:** Only a certified service technician should perform repairs on your computer. Damage due to servicing that is not authorized by Dell™ is not covered by your warranty.
-

Removing the Front Bezel

1. Follow the instructions in [Before You Begin](#).
2. Remove the computer cover (see [Removing the Computer Cover](#)).
3. Place the computer in an upright position.
4. Grasp and release the front bezel tabs sequentially, one at a time by moving them outward from the front panel.
5. Rotate and pull the front bezel away from the front of the computer to release the front bezel clamps from the front panel slots.



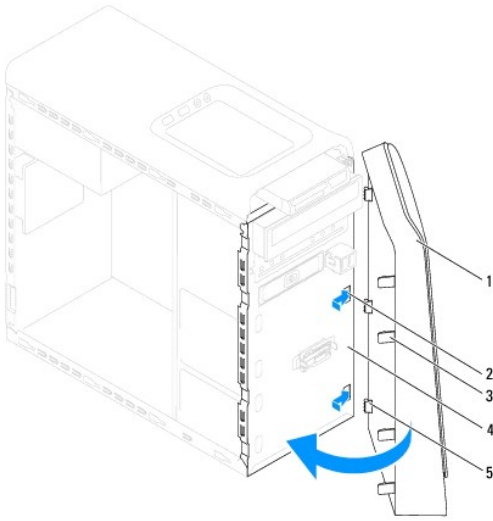
1	front bezel	2	front panel slots (3)
3	front bezel tabs (4)	4	front panel
5	front bezel clamps (3)		

6. Set aside the front bezel in a secure location.
-

Replacing the Front Bezel

1. Follow the instructions in [Before You Begin](#).

2. Align and insert the front bezel clamps into the front panel slots.
3. Rotate the front bezel towards the computer until the front bezel tabs snap into place.



1	front bezel	2	front panel slots (3)
3	front bezel tabs (4)	4	front panel
5	front bezel clamps (3)		

4. Replace the computer cover (see [Replacing the Computer Cover](#)).

[Back to Contents Page](#)


[Back to Contents Page](#)

Flashing the BIOS

Dell™ Studio XPS™ 7100 Service Manual

The BIOS may require flashing when an update is available or when replacing the system board. To flash the BIOS:

1. Turn on the computer.
2. Go to support.dell.com/support/downloads.
3. Locate the BIOS update file for your computer.


 **NOTE:** The Service Tag for your computer is located on a label on the top of your computer.

If you have your computer's Service Tag:

- a. Click **Enter a Service Tag**.
- b. Enter your computer's Service Tag in the **Enter a service tag** field, click **Go**, and proceed to [step 4](#).

If you do not have your computer's Service Tag:

- a. Select the type of product in the **Select Your Product Family** list.
- b. Select the product brand in the **Select Your Product Line** list.
- c. Select the product model number in the **Select Your Product Model** list.

 **NOTE:** If you have selected a different model and want to start over again, click **Start Over** on the top right of the menu.

- d. Click **Confirm**.
 4. A list of results appear on the screen. Click **BIOS**.
 5. Click **Download Now** to download the latest BIOS file. The **File Download** window appears.
 6. Click **Save** to save the file on your desktop. The file downloads to your desktop.
 7. Click **Close** if the **Download Complete** window appears. The file icon appears on your desktop and is titled the same as the downloaded BIOS update file.
 8. Double-click the file icon on the desktop and follow the instructions that appear on the screen.
-

[Back to Contents Page](#)

Bluetooth Assembly

Dell™ Studio XPS™ 7100 Service Manual

- [Removing the Bluetooth Assembly](#)
- [Replacing the Bluetooth Assembly](#)

WARNING: Before working inside your computer, read the safety information that shipped with your computer. For additional safety best practices information, see the Regulatory Compliance Homepage at www.dell.com/regulatory_compliance.

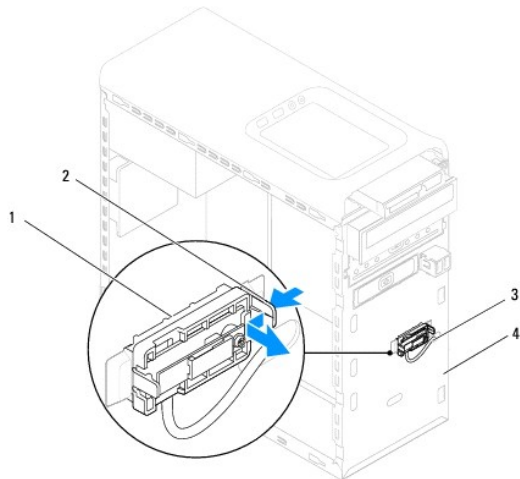
WARNING: To guard against electrical shock, always unplug your computer from the electrical outlet before removing the cover.

WARNING: Do not operate your computer with any cover(s) (including computer covers, bezels, filler brackets, front-panel inserts, etc.) removed.

CAUTION: Only a certified service technician should perform repairs on your computer. Damage due to servicing that is not authorized by Dell™ is not covered by your warranty.

Removing the Bluetooth Assembly

1. Follow the instructions in [Before You Begin](#).
2. Remove the computer cover (see [Removing the Computer Cover](#)).
3. Remove the front bezel (see [Removing the Front Bezel](#)).
4. Disconnect the Bluetooth® assembly cable from the system board connectors, PWRSW1 and F_USB4 (see [System Board Components](#)).
5. Press in on the tab as shown in the illustration and pull the Bluetooth assembly away from the front panel.
6. Carefully slide and remove the Bluetooth assembly cable through the slot in the front panel.



1	Bluetooth assembly	2	Bluetooth assembly tab
3	Bluetooth assembly cable	4	front panel

7. Set the Bluetooth assembly aside in a secure location.
-

Replacing the Bluetooth Assembly

1. Follow the instructions in [Before You Begin](#).

2. Slide the Bluetooth assembly cable through the slot in the front panel.
 3. Align the Bluetooth assembly tab with the Bluetooth assembly slot in the front panel.
 4. Press in on the Bluetooth assembly tab, and push it towards the front panel until it clicks into place.
 5. Connect the Bluetooth assembly cable, to the system board connectors, PWRSW1 and F_USB4 (see [System Board Components](#)).
 6. Replace the front bezel (see [Replacing the Front Bezel](#)).
 7. Replace the computer cover (see [Replacing the Computer Cover](#)).
 8. Connect your computer and devices to electrical outlets, and turn them on.
-

[Back to Contents Page](#)

PCI and PCI Express Cards

Dell™ Studio XPS™ 7100 Service Manual

- [Removing the Card Retention Bracket](#)
- [Replacing the Card Retention Bracket](#)
- [Removing PCI and PCI Express Cards](#)
- [Replacing PCI and PCI Express Cards](#)
- [Configuring Your Computer After Removing or Installing the PCI Express Card](#)

WARNING: Before working inside your computer, read the safety information that shipped with your computer. For additional safety best practices information, see the Regulatory Compliance Homepage at www.dell.com/regulatory_compliance.

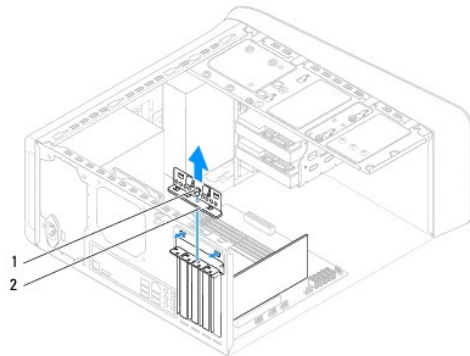
WARNING: To guard against electrical shock, always unplug your computer from the electrical outlet before removing the cover.

WARNING: Do not operate your computer with any cover(s) (including computer covers, bezels, filler brackets, front-panel inserts, etc.) removed.

CAUTION: Only a certified service technician should perform repairs on your computer. Damage due to servicing that is not authorized by Dell™ is not covered by your warranty.

Removing the Card Retention Bracket

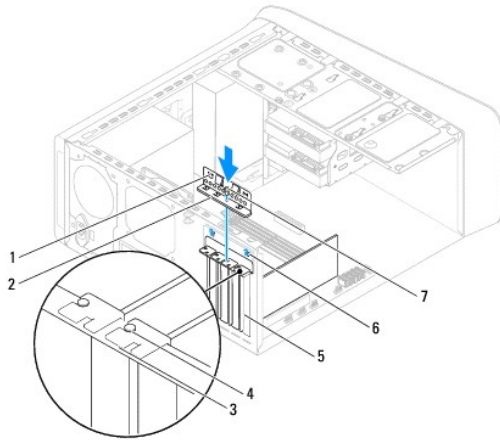
1. Follow the instructions in [Before You Begin](#).
2. Remove the computer cover (see [Removing the Computer Cover](#)).
3. Remove the screw that secures the card retention bracket.
4. Lift the card retention bracket and set it aside in a secure location.



1	screw	2	card retention bracket
---	-------	---	------------------------

Replacing the Card Retention Bracket

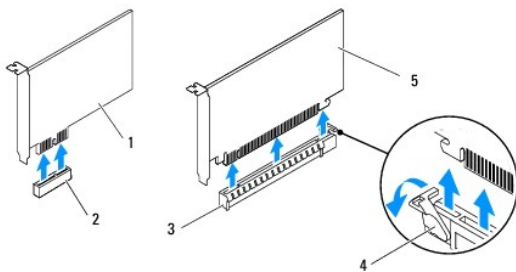
1. Follow the instructions in [Before You Begin](#).
2. Replace the card retention bracket, ensuring that:
 - 1 The guide clamp is aligned with the guide notch.
 - 1 The top of all cards and filler brackets are flush with the alignment bar.
 - 1 The notch in the top of the card or filler bracket fits around the alignment guide.
3. Replace the screw that secures the card retention bracket.
4. Replace the computer cover (see [Replacing the Computer Cover](#)).



1	guide clamps (2)	2	card retention bracket
3	alignment bar	4	alignment guide
5	filler bracket	6	guide notches (2)
7	screw		


Removing PCI and PCI Express Cards

1. Follow the instructions in [Before You Begin](#).
2. Remove the computer cover (see [Removing the Computer Cover](#)).
3. Remove the graphics card bracket, if applicable (see [Removing the Graphics Card Bracket](#)).
4. Remove the card retention bracket (see [Removing the Card Retention Bracket](#)).
5. Disconnect any cables connected to the card, if applicable.
6. Remove the PCI Express card from the card slot:
 1. For a PCI or PCI Express x1 card, grasp the card by its top corners, and ease it out of its connector.
 1. For a PCI Express x16 card, push the securing tab, grasp the card by its top corners, and then ease it out of its connector.



1	PCI Express x1 card	2	PCI Express x1 card slot
3	PCI Express x16 card slot	4	securing tab
5	PCI Express x16 card		

7. If you are removing the card permanently, install a filler bracket in the empty card-slot opening.

 **NOTE:** Installing filler brackets over empty card-slot openings is necessary to maintain FCC certification of the computer. The brackets also keep dust and dirt out of your computer.

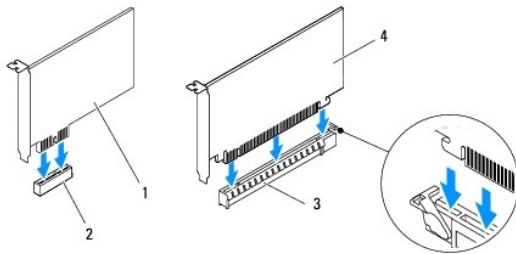
Replacing PCI and PCI Express Cards

1. Follow the instructions in [Before You Begin](#).

2. Prepare the card for installation.

See the documentation that shipped with the card for information on configuring the card, making internal connections, or otherwise customizing it for your computer.

3. Place the PCI Express card in the slot on the system board and press down firmly. Ensure that the PCI Express card is fully seated in the slot.




1	PCI Express x1 card	2	PCI Express x1 card slot
3	PCI Express x16 card slot	4	PCI Express x16 card

4. Replace the card retention bracket (see [Replacing the Card Retention Bracket](#)).

5. Connect any cables that should be attached to the card.

See the documentation that shipped with the card for information about the card's cable connections.

 **CAUTION:** Do not route card cables over or behind the cards. Cables routed over the cards can prevent the computer cover from closing properly or cause damage to the equipment.


6. Replace the graphics card bracket, if applicable (see [Replacing the Graphics Card Bracket](#)).

7. Replace the computer cover (see [Replacing the Computer Cover](#)).

8. Reconnect the computer and devices to electrical outlets, and then turn them on.

9. To complete the installation, see [Configuring Your Computer After Removing or Installing the PCI Express Card](#).

Configuring Your Computer After Removing or Installing the PCI Express Card

 **NOTE:** For information about the location of external connectors, see the *Setup Guide*. For information on installing drivers and software for your card, see the documentation that shipped with the card.

	Installed	Removed
Sound card	<ol style="list-style-type: none"> 1. Enter system setup (see System Setup). 2. Go to Onboard Audio Controller and then change the setting to Disabled. 3. Connect the external audio devices to the sound card's connectors. 	<ol style="list-style-type: none"> 1. Enter system setup (see System Setup). 2. Go to Onboard Audio Controller and then change the setting to Enabled. 3. Connect the external audio devices to the computer's back panel connectors.
Network card	<ol style="list-style-type: none"> 1. Enter system setup (see System Setup). 2. Go to Onboard LAN Controller and then change the setting to 	<ol style="list-style-type: none"> 1. Enter system setup (see System Setup). 2. Go to Onboard LAN Controller and then change the setting to

	Disabled. 3. Connect the network cable to the network card's connector.	Enabled. 3. Connect the network cable to the integrated network connector.
--	-----------------------------------------------------------------------------------	--------------------------------------------------------------------------------------

[Back to Contents Page](#)

Coin-Cell Battery

Dell™ Studio XPS™ 7100 Service Manual

- [Removing the Coin-Cell Battery](#)
- [Replacing the Coin-Cell Battery](#)

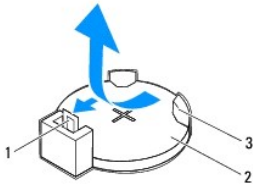
- ⚠ **WARNING:** Before working inside your computer, read the safety information that shipped with your computer. For additional safety best practices information, see the Regulatory Compliance Homepage at www.dell.com/regulatory_compliance.
 - ⚠ **WARNING:** A new battery can explode if it is incorrectly installed. Replace the battery only with the same or equivalent type recommended by the manufacturer. Discard used batteries according to the manufacturer's instructions.
 - ⚠ **WARNING:** To guard against electrical shock, always unplug your computer from the electrical outlet before removing the cover.
 - ⚠ **WARNING:** Do not operate your computer with any cover(s) (including computer covers, bezels, filler brackets, front-panel inserts, etc.) removed.
 - ⚠ **CAUTION:** Only a certified service technician should perform repairs on your computer. Damage due to servicing that is not authorized by Dell™ is not covered by your warranty.
-

Removing the Coin-Cell Battery

1. Record all the screens in system setup (see [System Setup](#)) so that you can restore the correct settings after the new coin-cell battery has been installed.
2. Follow the instructions in [Before You Begin](#).
3. Remove the computer cover (see [Removing the Computer Cover](#)).
4. Locate the battery socket on the system board (see [System Board Components](#)).

- ⚠ **CAUTION:** If you pry the battery out of its socket with a blunt object, be careful not to touch the system board with the object. Ensure that the object is inserted between the battery and the socket before you attempt to pry out the battery. Otherwise, you may damage the system board by prying off the socket or by breaking circuit traces on the system board.

5. Press the battery-release lever to remove the coin-cell battery.

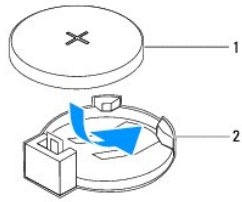


1	battery-release lever	2	coin-cell battery
3	battery socket		

6. Set aside the battery in a secure location.
-

Replacing the Coin-Cell Battery

1. Follow the instructions in [Before You Begin](#).
2. Insert the new coin-cell battery (CR2032) into the socket with the side labeled "+" facing up, and press the coin-cell battery into place.



1	coin-cell battery	2	battery socket
---	-------------------	---	----------------

3. Replace the computer cover (see [Replacing the Computer Cover](#)).
4. Connect your computer and devices to electrical outlets, and then turn them on.
5. Enter system setup (see [System Setup](#)) and restore the settings you recorded in [step 1](#).

[Back to Contents Page](#)

Computer Cover

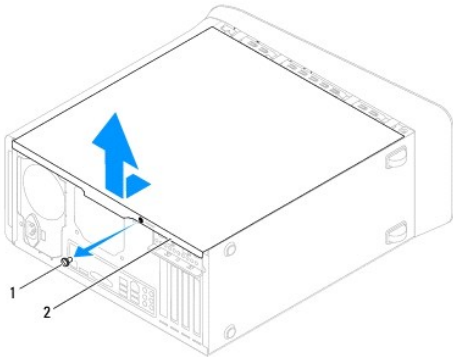
Dell™ Studio XPS™ 7100 Service Manual

- [Removing the Computer Cover](#)
- [Replacing the Computer Cover](#)

- WARNING:** Before working inside your computer, read the safety information that shipped with your computer. For additional safety best practices information, see the Regulatory Compliance Homepage at www.dell.com/regulatory_compliance.
- WARNING:** To guard against likelihood of electric shock, laceration by moving fan blades, or other unexpected injuries, always unplug your computer from the electrical outlet before removing the cover.
- WARNING:** Do not operate your computer with any cover(s) (including computer covers, bezels, filler brackets, front-panel inserts, etc.) removed.
- CAUTION:** Only a certified service technician should perform repairs on your computer. Damage due to servicing that is not authorized by Dell™ is not covered by your warranty.
- CAUTION:** Ensure that sufficient space exists to support the computer with the cover removed—at least 30 cm (1 ft.) of desk top space.
-

Removing the Computer Cover

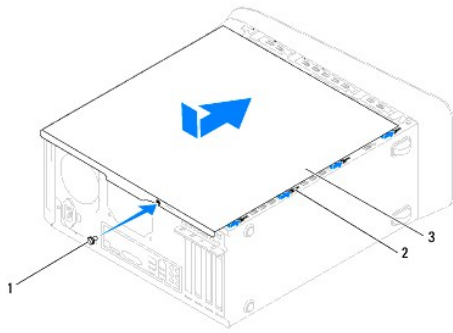
1. Follow the instructions in [Before You Begin](#).
2. Lay the computer on its side with the computer cover facing up.
3. Remove the thumbscrew securing the computer cover to the chassis, using a screw driver, if necessary.
4. Release the computer cover by sliding it away from the front of the computer.
5. Lift the cover away from the computer and set it aside in a secure location.



1	thumbscrew	2	computer cover
---	------------	---	----------------

Replacing the Computer Cover

1. Follow the instructions in [Before You Begin](#).
2. Connect all the cables and fold the cables out of the way.
3. Ensure that no tools or extra parts are left inside the computer.
4. Align the tabs at the bottom of the computer cover with the slots located along the edge of the chassis.
5. Press the computer cover down and slide it towards the front of the computer.
6. Replace the thumbscrew that secures the computer cover to the chassis.



1	thumbscrew	2	slots
3	computer cover		

7. Place the computer in an upright position.

[Back to Contents Page](#)

Processor

Dell™ Studio XPS™ 7100 Service Manual

- [Removing the Processor](#)
- [Replacing the Processor](#)

- ⚠ **WARNING:** Before working inside your computer, read the safety information that shipped with your computer. For additional safety best practices information, see the Regulatory Compliance Homepage at www.dell.com/regulatory_compliance.
 - ⚠ **WARNING:** To guard against electrical shock, always unplug your computer from the electrical outlet before removing the cover.
 - ⚠ **WARNING:** Do not operate your computer with any cover(s) (including computer covers, bezels, filler brackets, front-panel inserts, etc.) removed.
 - ⚠ **CAUTION:** Only a certified service technician should perform repairs on your computer. Damage due to servicing that is not authorized by Dell™ is not covered by your warranty.
 - ⚠ **CAUTION:** Do not perform the following steps unless you are familiar with hardware removal and replacement. Performing these steps incorrectly could damage your system board. To contact Dell for technical service, see the *Setup Guide*.
-

Removing the Processor

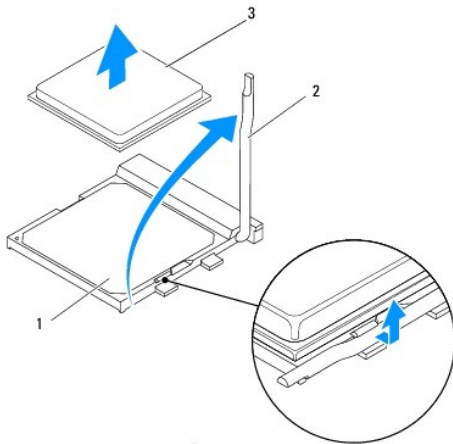
1. Follow the instructions in [Before You Begin](#).
2. Remove the computer cover (see [Removing the Computer Cover](#)).

- ⚠ **CAUTION:** Only a certified service technician should perform repairs on your computer. Damage due to servicing that is not authorized by Dell™ is not covered by your warranty.
- ⚠ **CAUTION:** Despite having a plastic shield, the processor fan and heat sink assembly may be very hot during normal operation. Ensure that it has had sufficient time to cool before you touch it.

3. Remove the processor fan and heat sink assembly (see [Removing the Processor Fan and Heat Sink Assembly](#)).

🔧 **NOTE:** Unless a new processor fan and heat sink is required for the new processor, reuse the original processor fan and heat sink assembly when you replace the processor.

4. Press and push the release lever down and out to release it from the tab that secures it.



1	socket	2	release lever
3	processor		

△ **CAUTION:** When removing the processor, do not touch any of the pins inside the socket or allow any objects to fall on the pins in the socket.

5. Gently lift the processor to remove it from the socket.

Leave the release lever extended in the release position so that the socket is ready for the new processor.

Replacing the Processor

△ **CAUTION:** Ground yourself by touching an unpainted metal surface on the back of the computer.

△ **CAUTION:** When replacing the processor, do not touch any of the pins inside the socket or allow any objects to fall on the pins in the socket.

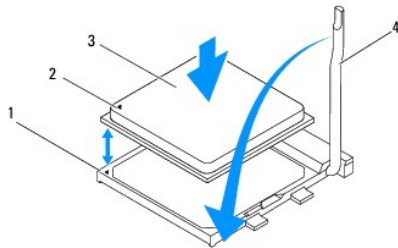
1. Follow the instructions in [Before You Begin](#).
2. Unpack the new processor, being careful not to touch the underside of the processor.

△ **CAUTION:** You must position the processor correctly in the socket to avoid permanent damage to the processor and the computer when you turn on the computer.

3. If the release lever on the socket is not fully extended, move it to that position.
4. Align the pin-1 corners of the processor and socket.

△ **CAUTION:** To avoid damage, ensure that the processor aligns properly with the socket, and do not use excessive force when you install the processor.

5. Set the processor gently in the socket and ensure that the processor is positioned correctly.



1	socket	2	processor pin-1 indicator
3	processor	4	release lever

6. Pivot the socket release lever back towards the socket, and snap it into place to secure the processor.
7. Clean the thermal grease from the bottom of the heat sink.

△ **CAUTION:** Ensure that you apply new thermal grease. New thermal grease is critical for ensuring adequate thermal bonding, which is a requirement for optimal processor operation.

8. Apply the new thermal grease to the top of the processor.
9. Replace the processor fan and heat sink assembly (see [Replacing the Processor Fan and Heat Sink Assembly](#)).

△ **CAUTION:** Ensure that the processor fan and heat sink assembly is correctly seated and secure.

10. Replace the computer cover (see [Replacing the Computer Cover](#)).

[Back to Contents Page](#)

Drives

Dell™ Studio XPS™ 7100 Service Manual

- [Hard Drive](#)
- [Optical Drive](#)
- [Media Card Reader](#)

- ⚠ **WARNING:** Before working inside your computer, read the safety information that shipped with your computer. For additional safety best practices information, see the Regulatory Compliance Homepage at www.dell.com/regulatory_compliance.
- ⚠ **WARNING:** To guard against electrical shock, always unplug your computer from the electrical outlet before removing the cover.
- ⚠ **WARNING:** Do not operate your computer with any cover(s) (including computer covers, bezels, filler brackets, front-panel inserts, etc.) removed.
- ⚠ **CAUTION:** Only a certified service technician should perform repairs on your computer. Damage due to servicing that is not authorized by Dell™ is not covered by your warranty.

Hard Drive

Removing the Primary Hard Drive

- ⚠ **CAUTION:** If you are replacing a hard drive that contains data you want to keep, back up your files before you begin this procedure.

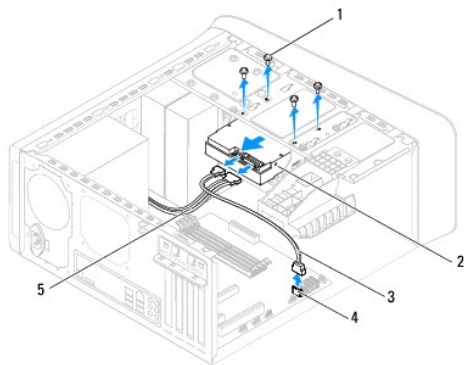
1. Follow the instructions in [Before You Begin](#).
2. Remove the computer cover (see [Removing the Computer Cover](#)).
3. Disconnect the power and data cables from the hard drive.

🔧 **NOTE:** If you are not replacing the hard drive at this time, disconnect the other end of the data cable from the system board connector and set it aside. You can use the data cable to install a hard drive at a later time.

4. Remove the four screws that secure the hard drive to the chassis.

- ⚠ **CAUTION:** Ensure that you do not scratch the hard drive's circuit board, while removing or replacing the hard drive.

5. Slide the hard drive out towards the back of the computer.

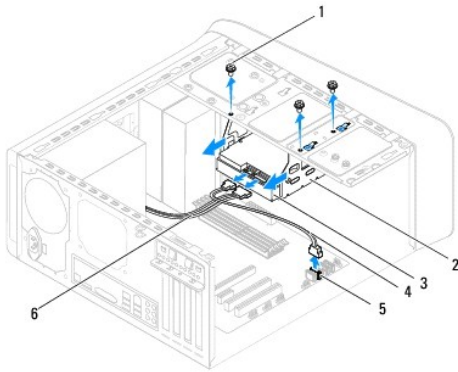


1	screws (4)	2	primary hard drive
3	data cable	4	SATA connector
5	power cable		

6. If removing the hard drive changes the drive configuration, ensure that you reflect these changes in the system setup (see [System Setup](#)).

Removing the Hard Drive Cage

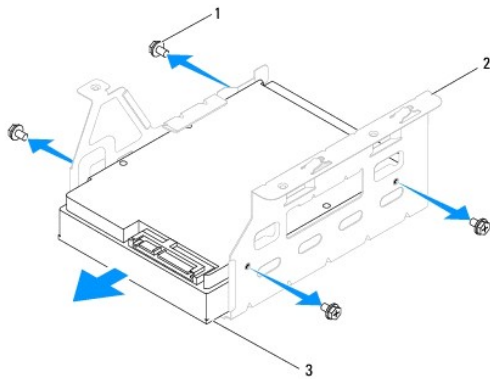
1. Follow the instructions in [Before You Begin](#).
2. Remove the computer cover (see [Removing the Computer Cover](#)).
3. Remove the primary hard drive (see [Removing the Primary Hard Drive](#)).
4. Remove the three screws that secure the hard drive cage to the chassis.
5. If applicable, disconnect the power and data cables from the secondary hard drive (see [System Board Components](#)).
6. Slide the hard drive cage towards the back of the chassis.



1	screws (3)	2	hard drive cage
3	secondary hard drive	4	data cable
5	SATA connector	6	power cable

Removing the Secondary Hard Drive

1. Follow the instructions in [Before You Begin](#).
2. Remove the computer cover (see [Removing the Computer Cover](#)).
3. Remove the primary hard drive (see [Removing the Primary Hard Drive](#)).
4. Remove the hard drive cage (see [Removing the Hard Drive Cage](#)).
5. Remove the four screws that secure the secondary hard drive to the hard drive cage.
6. Slide the secondary hard drive away from the hard drive cage.



1	screws (4)	2	hard drive cage
3	secondary hard drive		

Replacing the Secondary Hard Drive

1. Follow the instructions in [Before You Begin](#).
2. Check the documentation that shipped with the drive to verify that it is configured for your computer.
3. Slide the secondary hard drive into the hard drive cage.
4. Align the screw holes on the hard drive with the screw holes on the hard drive cage.
5. Replace the four screws that secure the secondary hard drive to the hard drive cage.

Replacing the Hard Drive Cage

1. Follow the instructions in [Before You Begin](#).
2. Align the screw holes on the hard drive cage with the screw holes on the chassis.
3. Replace the three screws that secure the hard drive cage to the chassis.
4. If applicable, connect the power and data cables to the secondary hard drive (see [System Board Components](#)).

Replacing the Primary Hard Drive


1. Follow the instructions in [Before You Begin](#).
2. Check the documentation that shipped with the drive to verify that it is configured for your computer.
3. Slide the primary hard drive into the hard drive cage.
4. Align the screw holes on the primary hard drive with the screw holes on the chassis.
5. Replace the four screws that secure the primary hard drive to the chassis.
6. Connect the power and data cables to the primary hard drive (see [System Board Components](#)).
7. Replace the computer cover (see [Replacing the Computer Cover](#)).
8. Connect your computer and devices to electrical outlets, and then turn them on.
9. See the documentation that shipped with the drive for instructions on installing any software required for drive operation.

10. Check the System Setup for drive configuration changes (see [System Setup](#)).
-

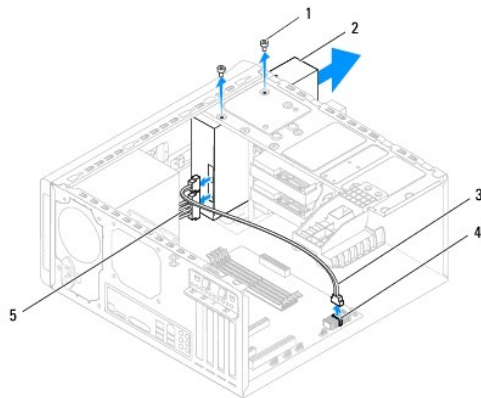
Optical Drive

Removing the Optical Drive

1. Follow the instructions in [Before You Begin](#).
2. Remove the computer cover (see [Removing the Computer Cover](#)).
3. Remove the front bezel (see [Removing the Front Bezel](#)).
4. Disconnect the power and data cables from the optical drive.

 **NOTE:** If you are not replacing the optical drive at this time, disconnect the other end of the data cable from the system board connector and set it aside. You can use the data cable to install an optical drive at a later time.

5. Remove the two screws that secure the optical drive to the chassis.
6. Push and slide the optical drive out through the front of the computer.

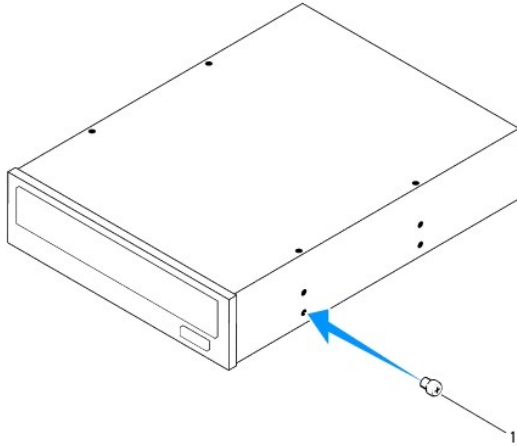


1	screws (2)	2	optical drive
3	data cable	4	SATA connector
5	power cable		

7. Set aside the optical drive in a secure location.

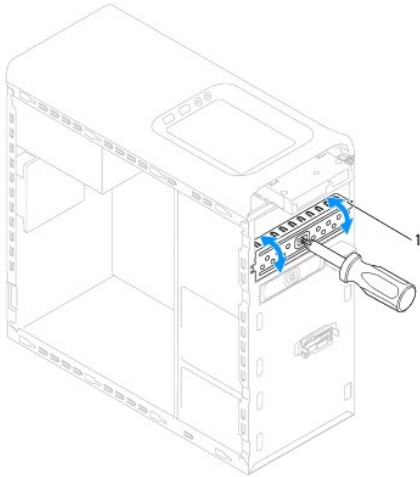
Replacing the Optical Drive

1. Follow the instructions in [Before You Begin](#).
2. Remove the screw from the old optical drive and insert it into the new optical drive.



1	screw
---	-------

3. To install a secondary optical drive, insert a screw driver and twist it to remove the break-away metal plate.
4. Pull the break-away metal plate away from the chassis.



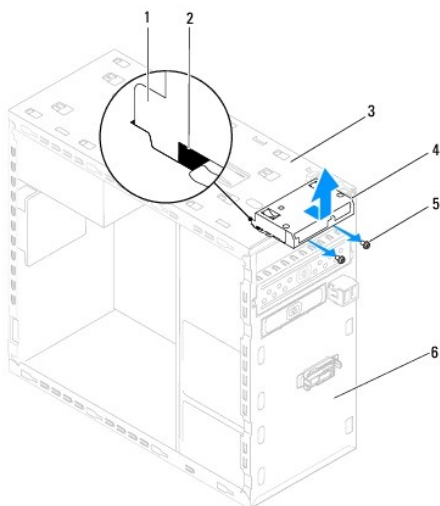
1	break-away metal plate
---	------------------------

5. Gently slide the optical drive into the optical drive bay through the front of the computer.
6. Align the screw holes on the optical drive with the screw holes on the chassis.
7. Replace the two screws that secure the optical drive to the chassis.
8. Connect the power and data cables to the optical drive (see [System Board Components](#)).
9. Replace the front bezel (see [Replacing the Front Bezel](#)).
10. Replace the computer cover (see [Replacing the Computer Cover](#)).
11. Connect your computer and devices to electrical outlets, and turn them on.
12. See the documentation that shipped with the drive for instructions on installing any software required for drive operation.
13. Check the System Setup for drive configuration changes (see [System Setup](#)).

Media Card Reader

Removing the Media Card Reader

1. Follow the instructions in [Before You Begin](#).
2. Remove the computer cover (see [Removing the Computer Cover](#)).
3. Remove the front bezel (see [Removing the Front Bezel](#)).
4. Remove the optical drive (see [Removing the Optical Drive](#)).
5. Remove the top cover (see [Removing the Top Cover](#)).
6. Remove the two screws that secure the Media Card Reader to the front panel. The screws are located below the Media Card Reader.
7. Disconnect the Media Card Reader cable from the system board connector F_USB1 (see [System Board Components](#)).
8. Slide and lift the Media Card Reader to remove it from the top panel.



1	Media Card Reader guides (2)	2	slots (2)
3	top panel	4	Media Card Reader
5	screws (2)	6	front panel

Replacing the Media Card Reader

1. Follow the instructions in [Before You Begin](#).
2. Gently slide the Media Card Reader guides into the slots in the top panel.
3. Replace the two screws that secure the Media Card Reader to the front panel.
4. Connect the Media Card Reader cable to the system board connector F_USB1 (see [System Board Components](#)).
5. Replace the top cover (see [Replacing the Top Cover](#)).
6. Replace the optical drive (see [Replacing the Optical Drive](#)).

7. Replace the front bezel (see [Replacing the Front Bezel](#)).
 8. Replace the computer cover (see [Replacing the Computer Cover](#)).
 9. Connect your computer and devices to electrical outlets, and then turn them on.
-

[Back to Contents Page](#)

Fans

Dell™ Studio XPS™ 7100 Service Manual

- [Chassis Fan](#)
- [Processor Fan and Heat Sink Assembly](#)

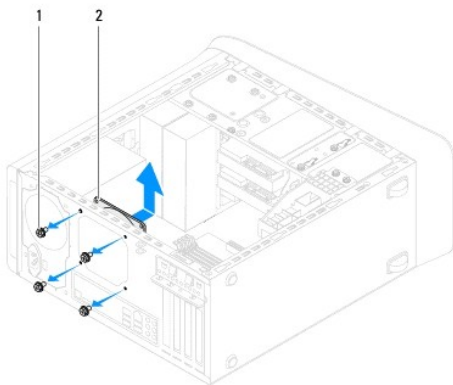
- ⚠ **WARNING:** Before working inside your computer, read the safety information that shipped with your computer. For additional safety best practices information, see the Regulatory Compliance Homepage at www.dell.com/regulatory_compliance.
 - ⚠ **WARNING:** To guard against electrical shock, always unplug your computer from the electrical outlet before removing the cover.
 - ⚠ **WARNING:** Do not operate your computer with any cover(s) (including computer covers, bezels, filler brackets, front-panel inserts, etc.) removed.
 - ⚠ **CAUTION:** Only a certified service technician should perform repairs on your computer. Damage due to servicing that is not authorized by Dell™ is not covered by your warranty.
-

Chassis Fan

Removing the Chassis Fan

- ⚠ **CAUTION:** Do not touch the fan blades when you are removing the chassis fan, as this could damage the fan.

1. Follow the instructions in [Before You Begin](#).
2. Remove the computer cover (see [Removing the Computer Cover](#)).
3. Disconnect the chassis fan cable from the system board connector SYS_FAN1 (see [System Board Components](#)).
4. Remove the four screws that secure the chassis fan to the chassis.
5. Slide and lift the chassis fan away from the computer as shown in the illustration.



1	screws (4)	2	chassis fan
---	------------	---	-------------

Replacing the Chassis Fan

1. Follow the instructions in [Before You Begin](#).
2. Align the screw holes on the chassis fan with the screw holes on the chassis.
3. Replace the four screws that secure the chassis fan to the chassis.

4. Connect the chassis fan cable to the system board connector SYS_FAN1 (see [System Board Components](#)).
5. Replace the computer cover (see [Replacing the Computer Cover](#)).

Processor Fan and Heat Sink Assembly

⚠ WARNING: Despite having a plastic shield, the processor fan and heat sink assembly may be very hot during normal operation. Ensure that it has had sufficient time to cool before you touch it.

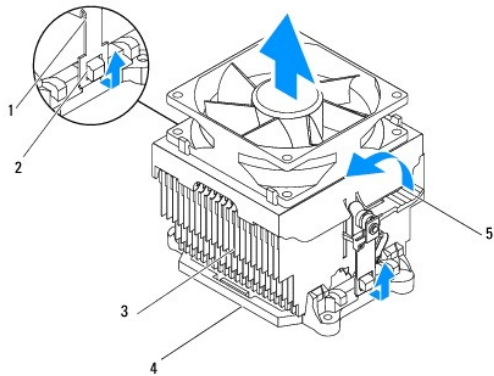
⚠ CAUTION: The processor fan and heat sink assembly is a single unit. Do not try to remove the fan separately.

Removing the Processor Fan and Heat Sink Assembly

1. Follow the instructions in [Before You Begin](#).
2. Remove the computer cover (see [Removing the Computer Cover](#)).
3. Disconnect the processor fan cable from the system board connector CPU_FAN1 (see [System Board Components](#)).
4. Rotate the lever counter-clockwise.
5. Pull and lift the clamp away from the tabs on either side of the heat sink assembly.

⚠ CAUTION: When you remove the processor fan and heat sink assembly, lay it upside down or on its side to avoid damaging the heat sink thermal interface.

6. Lift the processor fan and heat sink assembly out of the computer.



1	clamps (2)	2	tabs (2)
3	processor fan and heat sink assembly	4	bracket
5	lever		

Replacing the Processor Fan and Heat Sink Assembly

1. Follow the instructions in [Before You Begin](#).
2. Clean the thermal grease from the bottom of the heat sink.

⚠ CAUTION: Ensure that you apply new thermal grease. New thermal grease is critical for ensuring adequate thermal bonding, which is a requirement for optimal processor operation.

3. Apply new thermal grease to the top of the processor.
 4. Place the processor fan and heatsink assembly over the processor.
 5. Align the clamps on the processor fan and heatsink assembly with the tabs on the bracket.
 6. Push the clamps toward the tabs until they lock on either side of the processor fan and heatsink assembly.
 7. Rotate the lever clockwise until it locks the processor fan and heatsink assembly to the bracket.
 8. Connect the processor fan and heat sink assembly cable to the system board connector CPU_FAN1 (see [System Board Components](#)).
 9. Replace the computer cover (see [Replacing the Computer Cover](#)).
 10. Connect your computer and devices to electrical outlets, and turn them on.
-

[Back to Contents Page](#)

Front USB Panel

Dell™ Studio XPS™ 7100 Service Manual

- [Removing the Front USB Panel](#)
- [Replacing the Front USB Panel](#)

- ⚠ **WARNING:** Before working inside your computer, read the safety information that shipped with your computer. For additional safety best practices information, see the Regulatory Compliance Homepage at www.dell.com/regulatory_compliance.
 - ⚠ **WARNING:** To guard against electrical shock, always unplug your computer from the electrical outlet before removing the cover.
 - ⚠ **WARNING:** Do not operate your computer with any cover(s) (including computer covers, bezels, filler brackets, front-panel inserts, etc.) removed.
 - ⚠ **CAUTION:** Only a certified service technician should perform repairs on your computer. Damage due to servicing that is not authorized by Dell™ is not covered by your warranty.
-

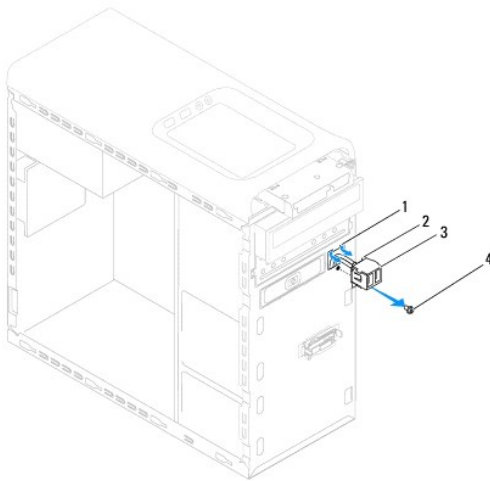
Removing the Front USB Panel

🔍 **NOTE:** Make note of the routing of all cables as you remove them so that you can re-route them correctly when installing the new front USB panel.

1. Follow the instructions in [Before You Begin](#).
2. Remove the computer cover (see [Removing the Computer Cover](#)).
3. Remove the front bezel (see [Removing the Front Bezel](#)).


⚠ **CAUTION:** When sliding the front USB panel out of the computer, be extremely careful. Carelessness may result in damage to the cable connectors and the cable routing clips.

4. Disconnect the front USB panel cables from the system board connector F_USB2 (see [System Board Components](#)).
5. Remove the screw that secures the front USB panel to the front panel.
6. Slide the front USB panel down to release the clamps from the front panel and pull it away.



1	front USB panel clamp slot	2	clamps (2)
3	front USB panel	4	screw

Replacing the Front USB Panel

 **CAUTION:** Take care not to damage the cable connectors and the cable routing clips when sliding the front USB panel into the front USB panel clamp slot.

1. Follow the instructions in [Before You Begin](#).
2. Align and slide the front USB panel clamps into the front USB panel clamp slot.
3. Replace the screw that secures the front USB panel to the front panel.
4. Connect the front USB panel cables to the system board connector F_USB2 (see [System Board Components](#)).
5. Replace the front bezel (see [Replacing the Front Bezel](#)).
6. Replace the computer cover (see [Replacing the Computer Cover](#)).
7. Connect your computer and devices to electrical outlets, and turn them on.

[Back to Contents Page](#)

Graphics Card Bracket

Dell™ Studio XPS™ 7100 Service Manual

- [Removing the Graphics Card Bracket](#)
- [Replacing the Graphics Card Bracket](#)

⚠ WARNING: Before working inside your computer, read the safety information that shipped with your computer. For additional safety best practices information, see the Regulatory Compliance Homepage at www.dell.com/regulatory_compliance.

⚠ WARNING: To guard against electrical shock, always unplug your computer from the electrical outlet before removing the cover.

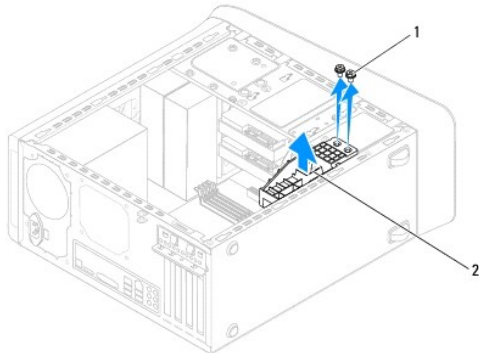
⚠ WARNING: Do not operate your computer with any cover(s) (including computer covers, bezels, filler brackets, front-panel inserts, etc.) removed.

⚠ CAUTION: Only a certified service technician should perform repairs on your computer. Damage due to servicing that is not authorized by Dell™ is not covered by your warranty.

📌 NOTE: The graphic card bracket is present in your computer only if you ordered a double-width graphics card at the time of purchase.

Removing the Graphics Card Bracket

1. Follow the instructions in [Before You Begin](#).
2. Remove the computer cover (see [Removing the Computer Cover](#)).
3. Remove the two screws that secure the graphics card bracket to the chassis.
4. Lift the graphics card bracket off the chassis.
5. Set the graphics card bracket aside in a secure location.



1	screws (2)	2	graphics card bracket
---	------------	---	-----------------------

Replacing the Graphics Card Bracket

1. Follow the instructions in [Before You Begin](#).
 2. Align the screw holes on the graphics card bracket with the screw holes on chassis.
 3. Replace the two screws that secure the graphics card bracket to the chassis.
 4. Replace the computer cover (see [Replacing the Computer Cover](#)).
-

Memory Module(s)

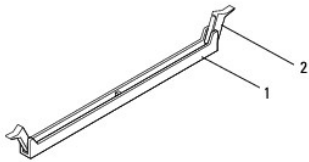
Dell™ Studio XPS™ 7100 Service Manual

- [Removing the Memory Module\(s\)](#)
- [Replacing the Memory Module\(s\)](#)

- ⚠ **WARNING:** Before working inside your computer, read the safety information that shipped with your computer. For additional safety best practices information, see the Regulatory Compliance Homepage at www.dell.com/regulatory_compliance.
 - ⚠ **WARNING:** To guard against electrical shock, always unplug your computer from the electrical outlet before removing the cover.
 - ⚠ **WARNING:** Do not operate your computer with any cover(s) (including computer covers, bezels, filler brackets, front-panel inserts, etc.) removed.
 - ⚠ **CAUTION:** Only a certified service technician should perform repairs on your computer. Damage due to servicing that is not authorized by Dell™ is not covered by your warranty.
-

Removing the Memory Module(s)

1. Follow the instructions in [Before You Begin](#).
2. Remove the computer cover (see [Removing the Computer Cover](#)).
3. Locate the memory module(s) on the system board (see [System Board Components](#)).
4. Press out the securing clip at each end of the memory module connector.



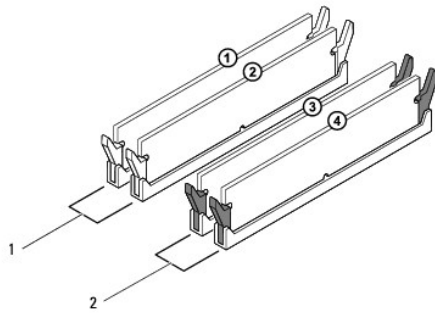
1	memory module connector	2	securing clip
---	-------------------------	---	---------------

5. Grasp the memory module and pull it upwards.
If the memory module is difficult to remove, gently ease the memory module back and forth to remove it from the connector.
-

Replacing the Memory Module(s)

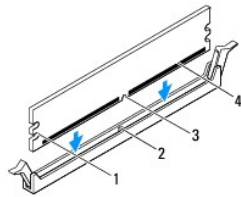
1. Follow the instructions in [Before You Begin](#).
2. Press out the securing clip at each end of the memory module connector.

- ⚠ **CAUTION:** Only a certified service technician should perform repairs on your computer. Damage due to servicing that is not authorized by Dell™ is not covered by your warranty.
- ⚠ **CAUTION:** Do not install ECC memory modules.
- ⚠ **CAUTION:** If you remove your original memory module(s) from the computer during a memory upgrade, keep them separate from any new module(s) that you may have, even if you purchased the new module(s) from Dell™. If possible, do not pair an original memory module with a new memory module. Otherwise, your computer may not start properly. The recommended memory configurations are: matched memory module(s) installed in DIMM connectors 1 and 2 and another matched memory module(s) installed in DIMM connectors 3 and 4.



1	matched memory modules in DIMM connectors 1 and 2 (white securing clips)	2	matched memory modules in DIMM connectors 3 and 4 (black securing clips)
---	--------------------------------------------------------------------------	---	--------------------------------------------------------------------------

3. Align the notch on the bottom of the memory module with the tab in the connector.

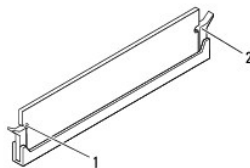


1	cutouts (2)	2	tab
3	notch	4	memory module

CAUTION: To avoid damage to the memory module, press the memory module straight down into the connector while you apply equal force to each end of the memory module.

4. Insert the memory module into the connector until the memory module snaps into position.

If you insert the memory module correctly, the securing clips snap into the cutouts at each end of the memory module.



1	cutouts (2)	2	securing clip (snapped in position)
---	-------------	---	-------------------------------------

5. Replace the computer cover (see [Replacing the Computer Cover](#)).

6. Connect your computer and devices to electrical outlets, and then turn them on.

If the message appears stating that memory size has changed, press <F1> to continue.

7. Log on to your computer.

8. Right-click the **My Computer** icon on your Microsoft® Windows® desktop and click **Properties**.
 9. Click the **General** tab.
 10. To verify that the memory is installed correctly, check the amount of memory (RAM) listed.
-

[Back to Contents Page](#)

[Back to Contents Page](#)

Power Supply

Dell™ Studio XPS™ 7100 Service Manual

- [Removing the Power Supply](#)
- [Replacing the Power Supply](#)

⚠ WARNING: Before working inside your computer, read the safety information that shipped with your computer. For additional safety best practices information, see the Regulatory Compliance Homepage at www.dell.com/regulatory_compliance.

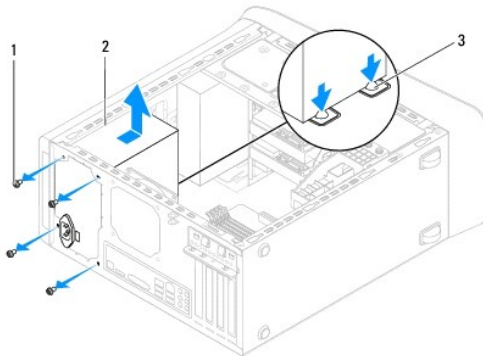
⚠ WARNING: To guard against electrical shock, always unplug your computer from the electrical outlet before removing the cover.

⚠ WARNING: Do not operate your computer with any cover(s) (including computer covers, bezels, filler brackets, front-panel inserts, etc.) removed.

⚠ CAUTION: Only a certified service technician should perform repairs on your computer. Damage due to servicing that is not authorized by Dell™ is not covered by your warranty.

Removing the Power Supply

1. Follow the instructions in [Before You Begin](#).
2. Remove the computer cover (see [Removing the Computer Cover](#)).
3. Disconnect the DC power cables from the system board and the drives (see [System Board Components](#)).
4. Remove all the cables from the securing clip on the side of the power supply.
5. Remove the four screws that secure the power supply to the chassis.
6. Press the power supply clamps to release the power supply from the chassis.
7. Slide and lift the power supply away from the chassis.



1	screws (4)	2	power supply
3	power supply clamps (2)		

Replacing the Power Supply

1. Follow the instructions in [Before You Begin](#).
2. Slide the power supply towards the back of the chassis.
3. Align the screw holes on the power supply with the screw holes on the chassis.

 **WARNING:** Failure to replace and tighten all screws may cause electrical shock as these screws are a key part of the system grounding.

4. Replace the four screws that secure the power supply to the chassis.
5. Connect the DC power cables to the system board and drives (see [System Board Components](#)).
6. Replace the computer cover (see [Replacing the Computer Cover](#)).
7. Connect your computer and devices to electrical outlets, and turn them on.

[Back to Contents Page](#)

Power Button Module

Dell™ Studio XPS™ 7100 Service Manual

- [Removing the Power Button Module](#)
- [Replacing the Power Button Module](#)

⚠ WARNING: Before working inside your computer, read the safety information that shipped with your computer. For additional safety best practices information, see the Regulatory Compliance Homepage at www.dell.com/regulatory_compliance.

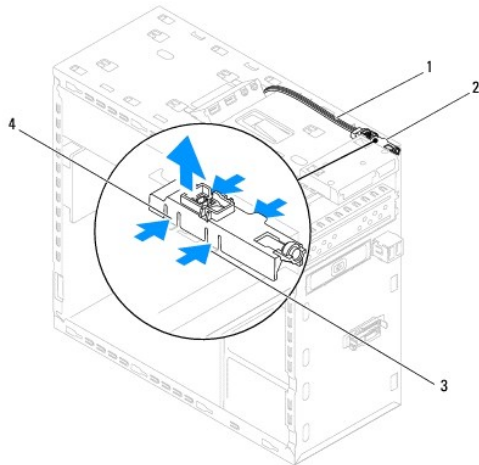
⚠ WARNING: To guard against electrical shock, always unplug your computer from the electrical outlet before removing the cover.

⚠ WARNING: Do not operate your computer with any cover(s) (including computer covers, bezels, filler brackets, front-panel inserts, etc.) removed.

⚠ CAUTION: Only a certified service technician should perform repairs on your computer. Damage due to servicing that is not authorized by Dell™ is not covered by your warranty.

Removing the Power Button Module

1. Follow the instructions in [Before You Begin](#).
2. Remove the computer cover (see [Removing the Computer Cover](#)).
3. Remove the front bezel (see [Removing the Front Bezel](#)).
4. Remove the optical drive (see [Removing the Optical Drive](#)).
5. Remove the top cover (see [Removing the Top Cover](#)).
6. Disconnect the power button module cable from the system board connector FP1 (see [System Board Components](#)).
7. Press the power button module tabs and lift the power button module to release it from the top panel.



1	cable	2	power button module
3	slot	4	power button module tabs (4)

8. Set the power button module aside in a secure location.
-

Replacing the Power Button Module

1. Follow the instructions in [Before You Begin](#).

2. Align and push the power button module tabs into the slots on the top panel.
 3. Connect the power button module cable to the system board connector FP1 (see [System Board Components](#)).
 4. Replace the top cover (see [Replacing the Top Cover](#)).
 5. Replace the optical drive (see [Replacing the Optical Drive](#)).
 6. Replace the front bezel (see [Replacing the Front Bezel](#)).
 7. Replace the computer cover (see [Replacing the Computer Cover](#)).
 8. Connect your computer and devices to electrical outlets, and turn them on.
-

[Back to Contents Page](#)

System Board

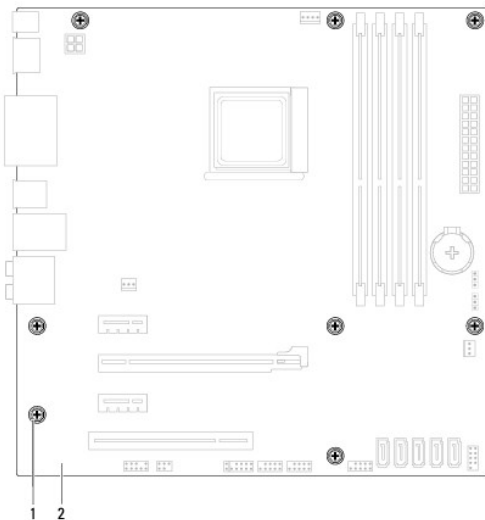
Dell™ Studio XPS™ 7100 Service Manual

- [Removing the System Board](#)
- [Replacing the System Board](#)
- [Entering the Service Tag in the BIOS](#)

- ⚠ **WARNING:** Before working inside your computer, read the safety information that shipped with your computer. For additional safety best practices information, see the Regulatory Compliance Homepage at www.dell.com/regulatory_compliance.
- ⚠ **WARNING:** To guard against electrical shock, always unplug your computer from the electrical outlet before removing the cover.
- ⚠ **WARNING:** Do not operate your computer with any cover(s) (including computer covers, bezels, filler brackets, front-panel inserts, etc.) removed.
- ⚠ **CAUTION:** Only a certified service technician should perform repairs on your computer. Damage due to servicing that is not authorized by Dell™ is not covered by your warranty.

Removing the System Board


1. Follow the instructions in [Before You Begin](#).
2. Remove the computer cover (see [Removing the Computer Cover](#)).
3. Remove any PCI and PCI Express cards, if applicable (see [Removing PCI and PCI Express Cards](#)).
4. Remove the processor fan and heat sink assembly (see [Removing the Processor Fan and Heat Sink Assembly](#)).
5. Remove the processor (see [Removing the Processor](#)).
6. Remove the memory modules (see [Removing the Memory Module\(s\)](#)) and record which memory module is removed from each DIMM slot so that the memory modules can be installed in the same slot after the system board is replaced.
7. Disconnect all cables connected to the system board (see [System Board Components](#)). Note the routing of all cables as you remove them so that you can re-route them correctly after installing the new system board.
8. Remove the eight screws that secure the system board to the chassis.




1	screws (8)	2	system board
---	------------	---	--------------

9. Lift the system board up and out of the chassis.


10. Compare the system board that you just removed with the replacement system board to ensure that they are identical.


 **NOTE:** Some components and connectors on the replacement system board may be in different locations compared to the components and connectors on the existing system board.

 **NOTE:** Jumper settings on the replacement system board is preset at the factory.


Replacing the System Board

1. Follow the instructions in [Before You Begin](#).
2. Gently place the system board into the chassis and slide it towards the back of the computer.
3. Replace the eight screws that secure the system board to the chassis.
4. Connect the cables that you disconnected from the system board (see [System Board Components](#)).
5. Replace the processor (see [Replacing the Processor](#)).
6. Replace the processor fan and the heat sink assembly (see [Replacing the Processor Fan and Heat Sink Assembly](#)).

 **CAUTION:** Only a certified service technician should perform repairs on your computer. Damage due to servicing that is not authorized by Dell™ is not covered by your warranty.

 **CAUTION:** Ensure that the heat sink assembly is correctly seated and secure.

7. Replace the memory modules (see [Replacing the Memory Module\(s\)](#)).
8. Replace any PCI and PCI Express cards on the system board, if applicable (see [Replacing PCI and PCI Express Cards](#)).
9. Replace the computer cover (see [Replacing the Computer Cover](#)).
10. Connect your computer and devices to electrical outlets, and turn them on.
11. Flash the system BIOS, as needed.

 **NOTE:** For information on flashing the system BIOS, see [Flashing the BIOS](#).

Entering the Service Tag in the BIOS

1. Turn on the computer.
 2. Press <F2> during POST to enter the system setup program.
 3. Navigate to the security tab and enter the service tag in the Set Service Tag field.
-

[Back to Contents Page](#)

System Setup


Dell™ Studio XPS™ 7100 Service Manual


- [Overview](#)
- [Clearing Forgotten Passwords](#)
- [Clearing CMOS Settings](#)


Overview

Use system setup to:

- 1 Change the system configuration information after you add, change, or remove any hardware in your computer
- 1 Set or change a user-selectable option such as the user password
- 1 Read the current amount of memory or set the type of hard drive installed.


 **CAUTION:** Only a certified service technician should perform repairs on your computer. Damage due to servicing that is not authorized by Dell™ is not covered by your warranty.

 **CAUTION:** Unless you are an expert computer user, do not change the settings for this program. Certain changes can make your computer work incorrectly.

 **NOTE:** Before you change system setup, it is recommended that you write down the system setup screen information for future reference.

Entering System Setup

1. Turn on (or restart) your computer.
2. When the DELL™ logo is displayed, watch for the F2 prompt to appear and then press <F2> immediately.


 **NOTE:** The F2 prompt indicates that the keyboard has initialized. This prompt can appear very quickly, so you must watch for it to display, and then press <F2>. If you press <F2> before you are prompted, this keystroke will be lost. If you wait too long and the operating system logo appears, continue to wait until you see the Microsoft® Windows® desktop. Then, shut down your computer (see [Turning Off Your Computer](#)) and try again.

System Setup Screens

The system setup screen displays the current or changeable configuration information for your computer. Information on the screen is divided into three areas: the options list, active options field, and key functions.

Menu — Appears on top of the System Setup window. This field provides a menu to access the System Setup options. Press the up- and down-arrow keys to navigate. As a Menu option is highlighted, the Options List , lists the options that define the hardware installed on you computer.		
Options List — Appears on the left side of the System Setup window. The field lists features that define the configuration of your computer, including installed hardware, power conservation, and security features. Scroll up and down the list using the up- and down-arrow keys. As an option is highlighted, the Options Field displays the option's current and available settings.	Options Field — Appears on the right side of Options List and contains information about each option listed in the Options List . In this field you can view information about your computer and make changes to your current settings. Press <Enter> to make changes to your current settings. Press <ESC> to return to the Options List . NOTE: Not all settings listed in the Options Field are changeable.	Help — Appears on the right side of the System Setup window and contains help information about the option selected in Options List .
Key Functions — Appears below the Options Field and lists keys and their functions within the active system setup field.		

System Setup Options

 **NOTE:** The items listed in this table may vary depending on your computer and installed devices.

System Info	
BIOS Info	Displays the BIOS version number and date information
System	Displays the system model number
Service Tag	Displays the service tag of the computer
Asset Tag	Displays the asset tag of the computer if present
Processor Type	Displays the processor type

Processor Cache L1	Displays the processor L1 cache size
Processor Cache L2	Displays the processor L2 cache size
Processor Cache L3	Displays the processor L3 cache size
Memory Installed	Indicates the amount of installed memory in MB
Memory Available	Indicates the amount of memory available in MB
Memory Speed	Indicates the memory speed in MHz
Memory Technology	Indicates the memory technology; DDR3
Standard CMOS Features	
System Time	Displays the current time in hh:mm:ss format
System Date	Displays the current date in mm:dd:yy format
SATA1	Displays the SATA1 drive integrated in the computer
SATA2	Displays the SATA2 drive integrated in the computer
SATA3	Displays the SATA3 drive integrated in the computer
SATA4	Displays the SATA4 drive integrated in the computer
SATA5	Displays the SATA5 drive integrated in the computer
eSATA	Displays the eSATA drive integrated in the computer
Advanced BIOS Features	
CPU Feature	<ul style="list-style-type: none"> Secure Virtual Machine Mode — Enabled or Disabled (Enabled by default) AMD Cool 'N' Quiet — Enabled or Disabled (Enabled by default)
USB Device Setting	<ul style="list-style-type: none"> USB Controller — Enabled or Disabled (Enabled by default) USB Operation Mode — High Speed; Full/Low Speed (High Speed by default)
Advanced Chipset Features	
Onboard Audio Controller	Enabled or Disabled (Enabled by default)
SATA Mode	ATA/RAID (RAID by default)
Onboard LAN Controller	Enabled or Disabled (Enabled by default)
Onboard LAN Boot ROM	Enabled or Disabled (Disabled by default)
Boot Device Configuration	
Boot Settings Configuration	Configures the settings during system boot
Hard Disk Boot Priority	Sets the hard drive boot priority. The items displayed are dynamically updated according to the hard drives detected
CD/DVD Drives Boot Priority	Sets the CD/DVD drive boot priority. The items displayed are dynamically updated according to the drives detected
1st Boot Device	Specifies the boot sequence from the available devices Removable; CD/DVD; Hard Drive; Disabled (Removable by default)
2nd Boot Device	Specifies the boot sequence from the available devices Removable; CD/DVD; Hard Drive; Disabled (CD/DVD by default)
3rd Boot Device	Specifies the boot sequence from the available devices Removable; CD/DVD; Hard Drive; Disabled (Hard Drive by default).
Boot Other Device	No: Yes (Yes by default)
Power Management Setup	
ACPI Suspend Type	Specifies the ACPI suspend type. The default is S3
Remote Wake Up	This option turns on the computer when you try to access the computer through the LAN (Enabled by default)
AC Recovery	Specifies the behavior of the computer after recovering from a power loss (Off by default) <ul style="list-style-type: none"> On — The computer turns on after it recovers from a power failure Off — The computer remains off Last — The computer returns to the power state it was in before the power failure
Auto Power On	Enables you to set an alarm to turn on the computer automatically
BIOS Security Features	
Supervisor Password	Status of supervisor installed

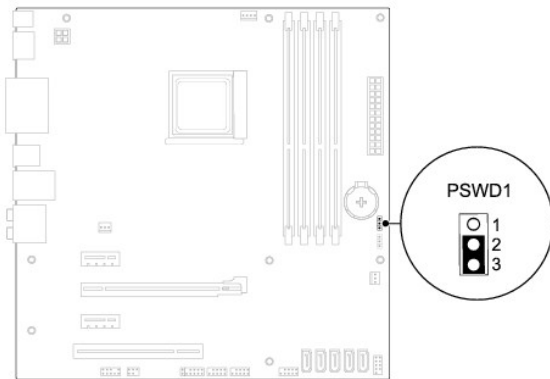
User Password	Status of user installed
Set Supervisor Password	Allows to set the desired supervisor password
Exit	
Exit Options	Provides options to Load Default , Save and Exit Setup , and Exit Without Saving

Clearing Forgotten Passwords

⚠ WARNING: Before you begin any of the instructions in this section, follow the safety instructions that shipped with your computer.

⚠ WARNING: The computer must be disconnected from the electrical outlet to clear the CMOS setting.

1. Follow the instructions in [Before You Begin](#).
2. Remove the computer cover (see [Removing the Computer Cover](#)).
3. Locate the 3-pin password reset jumper (PSWD1) on the system board (see [System Board Components](#)).



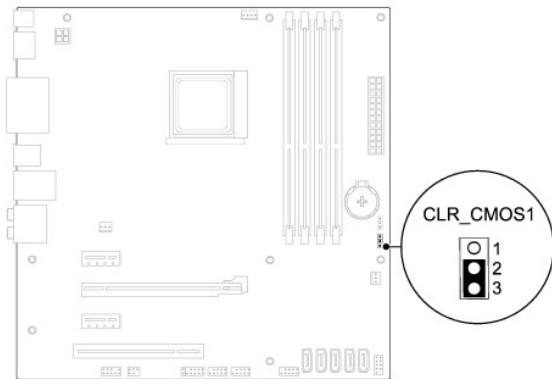
4. Remove the 2-pin jumper plug from pins 2 and 3 and fix it on pins 1 and 2.
5. Turn on the computer to clear the password.
6. Turn off the computer and disconnect your computer and all attached devices from their electrical outlets.
7. Remove the 2-pin jumper plug from pins 1 and 2 and replace it on pins 2 and 3 to enable the password feature.
8. Replace the computer cover (see [Replacing the Computer Cover](#)).
9. Connect your computer and devices to electrical outlets, and turn them on.

Clearing CMOS Settings

⚠ WARNING: Before you begin any of the instructions in this section, follow the safety instructions that shipped with your computer.

⚠ WARNING: The computer must be disconnected from the electrical outlet to clear the CMOS setting.

1. Follow the instructions in [Before You Begin](#).
2. Remove the computer cover (see [Removing the Computer Cover](#)).
3. Locate the 3-pin CMOS reset jumper (CLR_CMOS1) on the system board (see [System Board Components](#)).



4. Remove the 2-pin jumper plug from pins 2 and 3 and fix it on pins 1 and 2.
5. Wait for approximately five seconds to clear the CMOS setting.
6. Remove the 2-pin jumper plug from pins 1 and 2 and replace it on pins 2 and 3.
7. Replace the computer cover (see [Removing the Computer Cover](#)).
8. Connect your computer and devices to electrical outlets, and turn them on.

[Back to Contents Page](#)

[Back to Contents Page](#)

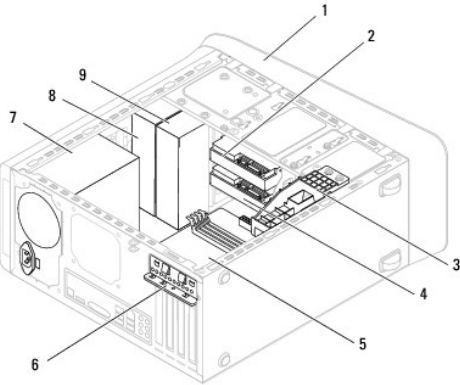
Technical Overview

Dell™ Studio XPS™ 7100 Service Manual

- [Inside View of Your Computer](#)
- [System Board Components](#)

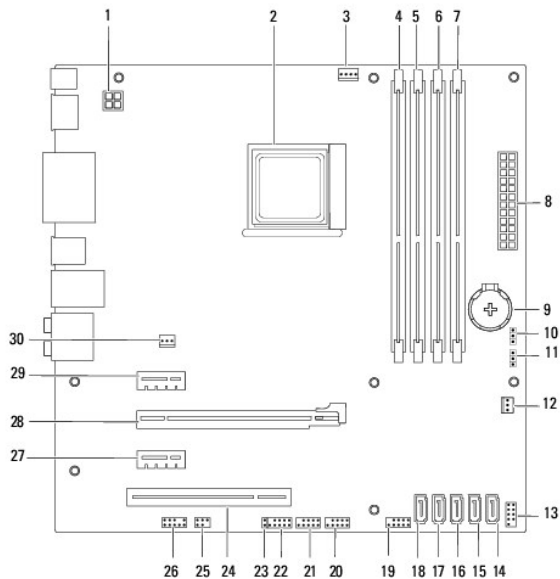
WARNING: Before working inside your computer, read the safety information that shipped with your computer. For additional safety best practices information, see the Regulatory Compliance Homepage at www.dell.com/regulatory_compliance.

Inside View of Your Computer



1	front bezel	2	primary hard drive
3	graphics card bracket (optional)	4	secondary hard drive
5	system board	6	card retention clamp
7	power supply	8	primary optical drive
9	secondary optical drive		

System Board Components



1	power connector (PWR2)	2	processor socket
3	processor fan connector (CPU_FAN1)	4	memory module connector (DIMM4)
5	memory module connector (DIMM3)	6	memory module connector (DIMM2)
7	memory module connector (DIMM1)	8	main power connector (PWR1)
9	battery socket (BAT1)	10	password reset jumper (PSWD1)
11	CMOS reset jumper (CLR_CMOS1)	12	chassis fan connector (SYS_FAN 2)
13	power button connector (FP1)	14	SATA connector (SATA1)
15	SATA connector (SATA2)	16	SATA connector (SATA3)
17	SATA connector (SATA4)	18	SATA connector (SATA5)
19	front panel USB connector (F_USB1)	20	front panel USB connector (F_USB2)
21	front panel USB connector (F_USB3)	22	front panel USB connector (F_USB4)
23	Bluetooth® power connector (PWRSW1)	24	PCI card slot (PC11)
25	S/PDIF connector (SPDIF_OUT1)	26	front panel audio connector (F_AUDIO1)
27	PCI Express x1 card slot (PCI-EX1_2)	28	PCI Express x16 card slot (PCI-EX16_1)
29	PCI Express x1 card slot (PCI-EX1_1)	30	chassis fan connector (SYS_FAN 1)

[Back to Contents Page](#)

[Back to Contents Page](#)

Dell™ Studio XPS™ 7100 Service Manual



NOTE: A NOTE indicates important information that helps you make better use of your computer.



CAUTION: A CAUTION indicates either potential damage to hardware or loss of data and tells you how to avoid the problem.



WARNING: A WARNING indicates a potential for property damage, personal injury, or death.

Information in this document is subject to change without notice.
© 2010 Dell Inc. All rights reserved.

Reproduction of these materials in any manner whatsoever without the written permission of Dell Inc. is strictly forbidden.

Trademarks used in this text: *Dell*, the *DELL* logo, and *Studio XPS* are trademarks of Dell Inc.; *AMD* is a registered trademark of Advanced Micro Devices, Inc.; *Microsoft*, *Windows*, and the *Windows* start button logo are either trademarks or registered trademarks of Microsoft Corporation in the United States and/or other countries.

Other trademarks and trade names may be used in this document to refer to either the entities claiming the marks and names or their products. Dell Inc. disclaims any proprietary interest in trademarks and trade names other than its own.

May 2010 Rev. A00

[Back to Contents Page](#)

Top Cover

Dell™ Studio XPS™ 7100 Service Manual

- [Removing the Top Cover](#)
- [Replacing the Top Cover](#)

WARNING: Before working inside your computer, read the safety information that shipped with your computer. For additional safety best practices information, see the Regulatory Compliance Homepage at www.dell.com/regulatory_compliance.

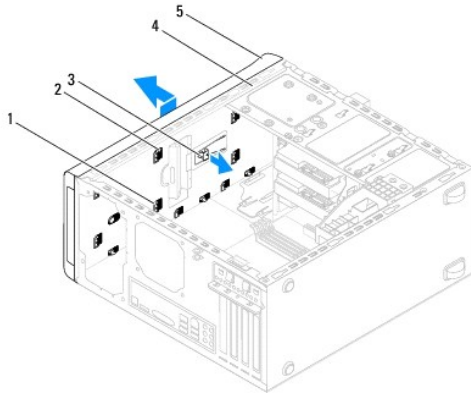
WARNING: To guard against electrical shock, always unplug your computer from the electrical outlet before removing the cover.

WARNING: Do not operate your computer with any cover(s) (including computer covers, bezels, filler brackets, front-panel inserts, etc.) removed.

CAUTION: Only a certified service technician should perform repairs on your computer. Damage due to servicing that is not authorized by Dell™ is not covered by your warranty.

Removing the Top Cover

1. Follow the instructions in [Before You Begin](#).
2. Remove the computer cover (see [Removing the Computer Cover](#)).
3. Remove the front bezel (see [Removing the Front Bezel](#)).
4. Remove the optical drive (see [Removing the Optical Drive](#)).
5. Pull the release tab, and slide the top cover towards the front of the computer to release the top cover tabs from the slots on the top panel.
6. Pull the top cover away from the top panel.



1	slots	2	top cover tabs
3	release tab	4	top panel
5	top cover		

7. Set the top cover aside in a secure location.
-

Replacing the Top Cover

1. Follow the instructions in [Before You Begin](#).
2. Align the tabs in the top cover with the slots in the top panel.

3. Press and slide the top cover towards the back of the computer, until it clicks into place.
 4. Replace the optical drive (see [Replacing the Optical Drive](#)).
 5. Replace the front bezel (see [Replacing the Front Bezel](#)).
 6. Replace the computer cover (see [Replacing the Computer Cover](#)).
-

[Back to Contents Page](#)

Top I/O Panel

Dell™ Studio XPS™ 7100 Service Manual

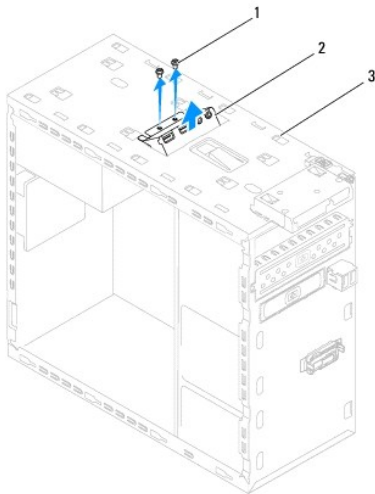
- [Removing the Top I/O Panel](#)
- [Replacing the Top I/O Panel](#)

- ⚠ **WARNING:** Before working inside your computer, read the safety information that shipped with your computer. For additional safety best practices information, see the Regulatory Compliance Homepage at www.dell.com/regulatory_compliance.
 - ⚠ **WARNING:** To guard against electrical shock, always unplug your computer from the electrical outlet before removing the cover.
 - ⚠ **WARNING:** Do not operate your computer with any cover(s) (including computer covers, bezels, filler brackets, front-panel inserts, etc.) removed.
 - ⚠ **CAUTION:** Only a certified service technician should perform repairs on your computer. Damage due to servicing that is not authorized by Dell™ is not covered by your warranty.
-

Removing the Top I/O Panel

🔍 **NOTE:** Make note of the routing of all cables as you remove them so that you can re-route them correctly when installing the new top I/O panel.

1. Follow the instructions in [Before You Begin](#).
2. Remove the computer cover (see [Removing the Computer Cover](#)).
3. Remove the front bezel (see [Removing the Front Bezel](#)).
4. Remove the optical drive (see [Removing the Optical Drive](#)).
5. Remove the top cover (see [Removing the Top Cover](#)).
6. Disconnect the top I/O panel cables from the system board connectors, F_USB3 and F_AUDIO1 (see [System Board Components](#)).
7. Remove the two screws that secure the top I/O panel to the top panel.



1	screws (2)	2	top I/O panel
3	top panel		

8. Carefully remove the top I/O panel from the top panel.
-

Replacing the Top I/O Panel

1. Follow the instructions in [Before You Begin](#).
2. Align the screw holes on the top I/O panel with the screw holes on the top panel.
3. Replace the two screws that secure the top I/O panel to the top panel.
4. Connect the top I/O panel cables to the system board connectors, F_USB3 and F_AUDIO1 (see [System Board Components](#)).
5. Replace the top cover (see [Replacing the Top Cover](#)).
6. Replace the optical drive (see [Replacing the Optical Drive](#)).
7. Replace the front bezel (see [Replacing the Front Bezel](#)).
8. Replace the computer cover (see [Replacing the Computer Cover](#)).
9. Connect your computer and devices to electrical outlets, and turn them on.

[Back to Contents Page](#)